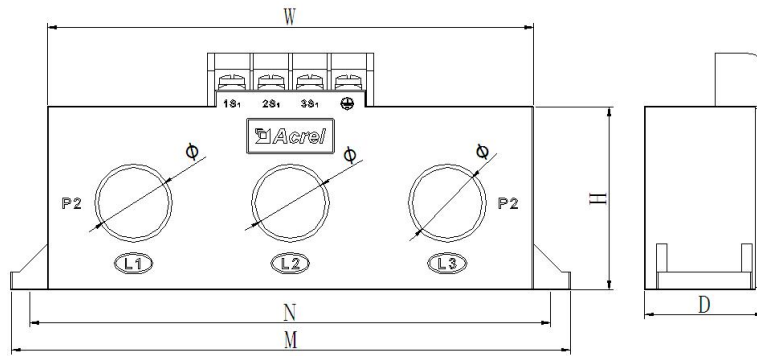


1.4.1.5.3 AKH-0.66/Z-20 current transformer

- Spec. and size



Size (mm)	Outline size			Through size	Mounting size		Tolerance
	W	H	D	Φ	M	N	
Type							
AKH-0.66/Z-20	138	52	34	20	159	148	± 1

- Cross-reference tables of spec. –parameter

Specification	Rated current ratio	Precision degree and corresponding rated load (VA/Ω)		Max. cable outer diameter(mm)
		class 0.5	class 1	
Z-3 × Φ 20	5-100/5A		1.5VA	Φ 20
	150/5A	1.5VA		
	200/5A	2.5VA		
	5-100/1A		1.5 Ω	
	150/1A	1.5 Ω		
	200/1A	2.5 Ω		
	5-200A/50mA	0.5VA		